



# *i*<sup>3</sup> Intelligent Controller OEE Data Collection



# i<sup>3</sup> Intelligent Controller OEE Data Collection



**Application:** Grain cleaning & processing line Overall  
Equipment Effectiveness (OEE)

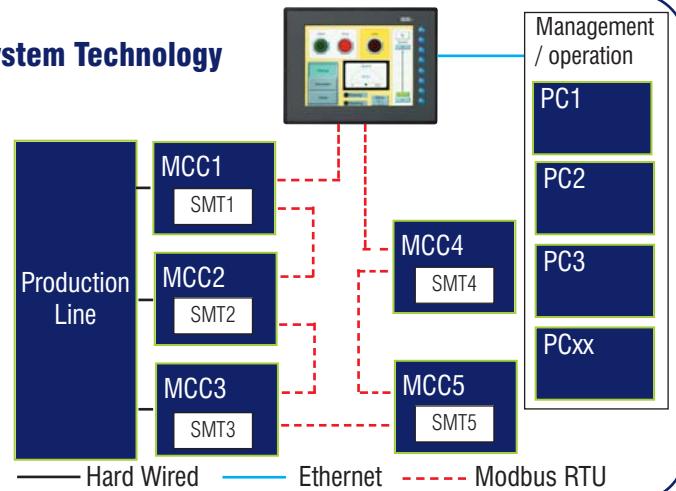
**Equipment:** IMO i<sup>3</sup>D & 6 off iSmart v3 Intelligent Relays

**I/O count:** 24 dig IO

**Special note:** An iSmart was installed in each of 6 control panels, to act as remote IO, on a Modbus RS485 network.

**Requirement:** Retrofit of data collection to monitor OEE of grain processing lines.

## System Technology



To improve productivity the client wished to monitor OEE of the existing grain processing and cleaning line. Although retrofitting of the data collection points would require modifications in several control panels, it would be necessary to keep production disruption to a minimum.

The chosen IMO Systems Integrator confirmed the clients requirements and chose to use the IMO i<sup>3</sup>D Integrated Controller with iSmart Intelligent Relays to collect the digital input data (Line running, product levels, bag count, reject bag, good bag etc). In addition to this, the production line is made up of 'plug and play' machines – so the line configuration can be changed to suit the product type – and therefore a deal of monitoring flexibility was required.

By using the FTP facility of the i<sup>3</sup> the line operation is monitored in real time. In addition to the OEE data, the i<sup>3</sup> monitors and stores trending, alarm history, operator identification and other information to enable a complete date/time overview to be viewed as required.

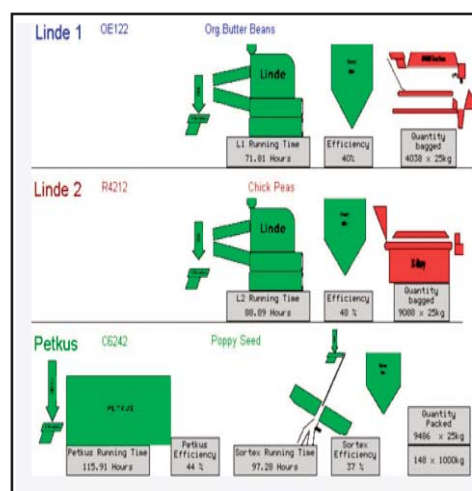
"It's great to have the visibility of the production lines, enabling us to monitor and improve efficiency. Production is improved and costs are down and records are easily stored."

Testimonial from end user

" Production visibility is necessary, to improve efficiency and reduce costs. The IMO solution is very flexible, easy to install with minimum disruption."

Testimonial from Systems Integrator.

The iCube range is available with different IO configurations, screen sizes and communication options. Pricing includes software and 3 year warranty.



## IMO Precision Controls

Unit 15, 1000 North Circular Road, London, NW2 7JP  
Tel: +44 (0)20 8452 6444 Fax: +44 (0)20 8450 2274  
Email: Sales@imopc.com Web: www.imopc.com